

FSP 3000 OpenFabric™

Eliminating the constraints of traditional OTN fabric architectures

Multi-service ODU grooming is essential to leverage the power of coherent technology and lower cost per Gbit/s. However, traditional OTN switches, with a closed architecture and fixed slot capacity assignments, are not suited for open and disaggregated environments. Our FSP 3000 OpenFabric™ has an entirely new design concept that offers maximum openness, flexibility and scalability, while minimizing cost and footprint.

Our FSP 3000 OpenFabric™ is an innovative open OTN fabric switch with a fully flexible and open front plane. Proprietary adapters are no longer needed. Services can be connected directly or via standard OTN-based transponders. With a 400Gbit/s switching capacity and seven pluggable interfaces within a one-slot module, our OpenFabric™ meets the most stringent demands in terms of capacity and footprint. What's more, it supports a flexible mix of services up to 100Gbit/s and can work in multiple modes with optional AES-256 encryption. Our FSP 3000 OpenFabric™ removes all constraints, empowering network operators to scale as and when needed, and get maximum profit from their network infrastructure.



Your benefits

- ✓ **Open and disaggregated design**
Flexible and standardized open front plane; no proprietary adapters, no fixed slot capacity
- ✓ **Efficient OTN grooming for metro networks**
Easy on-ramp with no wasted capacity and unnecessary costs
- ✓ **Flexible mix of services**
Including OTN, Ethernet, SDH/SONET and Fibre Channel, from 8Gbit/s to 100Gbit/s
- ✓ **AES-256 encryption**
Card variant (CryptoMux™) with AES-256 encryption of OTN payload and design according to FIPS 140-2
- ✓ **Multi-functional**
Configurable to operate as dual multiplexer, add/drop multiplexer (ADM) or ODU switch with optional AES-256 encryption
- ✓ **Compact and cost-efficient design**
Single-slot card design optimized for metro networks demands

High-level specifications

General information

- Multi-service 400Gbit/s switching capacity
- Low footprint (1-slot card)
- Fits in multiple chassis sizes from 1RU to 12RU
- Best-in-class power consumption

Interfaces

- Seven ports supporting pluggable QSFP transceivers
- Up to 20 client ports; up to 4 per interfaces
- Each interface supports different rates/interfaces
- No adapters needed

OTN switching

- ODU0, ODU1, ODU2, ODU3, ODU4, ODUflex layer
- Non-blocking
- Efficient service grooming

Supported services

- Ethernet: 10GbE, 25GbE, 40GbE, 100GbE
- OTN: OTU2, OTU2e, OTU3, OTU4
- Fibre Channel: 8G FC, 16G FC, 32G FC
- SDH / SONET: STM64 / OC192

Encryption (CryptoMux™)

- CryptoMux™ card variant supporting AES-256 encryption of OTN payload
- Design according to FIPS 140-2

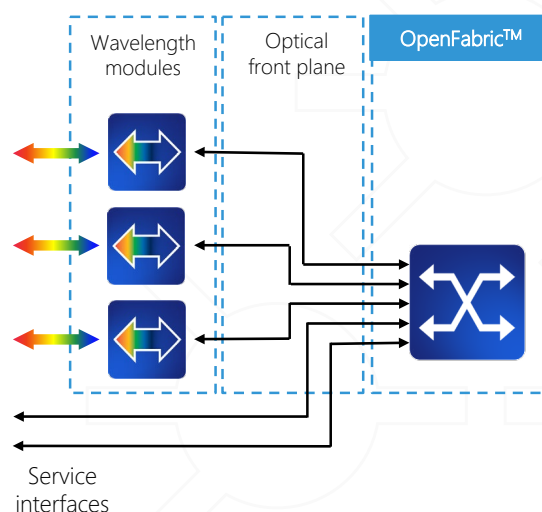
Modes of operation

- Add/drop multiplexing, multi-service aggregation and OTN switching
- Traffic flow: client to network, client to client and network to networks

Applications in your network

Universal 400Gbit/s OTN fabric for flexible and efficient high-speed connectivity

- Lowering cost per Gbit/s by
 - Multi-service aggregation of client services up to 200Gbit/s total capacity into two OTU4 ports
 - Add/drop multiplexing of client services into OTU4
 - OTN switching of client services up to 400Gbit/s total capacity between any ports
- Smooth upgrade of existing network infrastructure to coherent technology
- High-capacity, open and disaggregated metro and core optical network infrastructure
- Efficient use of fiber capacity



For more information please visit us at www.advaoptical.com
© 06 / 2019 ADVA Optical Networking. All rights reserved.

Product specifications are subject to change without notice or obligation.

